

HALC

Headlights & Auxiliary Lights LED Controller

The HALC is a Headlights and Auxiliary lights LED Controller specifically designed for railroad applications. This highly reliable unit provides four (4) independent outputs for PAR56 LED lamps: two (2) headlights and two (2) auxiliary lights.

The HALC regulates the dimming of the headlights and flashing of the auxiliary lights while managing the lamps.



HALC1 shown

HIGHLIGHTS

- Controls both headlights and auxiliary lights on a cab car or locomotive
- Natural convection cooling
- Energy savings
- Lamps status available
- Modular design allows customizing to any exterior lighting requirement
- Provides all the control features needed to meet the 49CFR (Part 229.125) headlights and auxiliary lights requirements

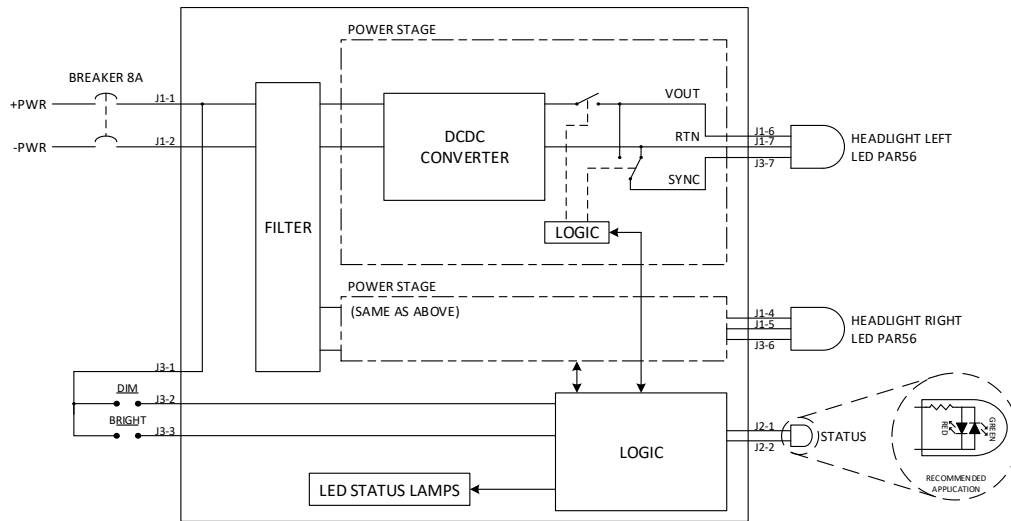
MODELS & FEATURES

Part Number Base	HALC1	HALC2	HALC3	HALC4	HALC5
37.5V_{DC} / 72V_{DC} Operating Voltage	X	X	X	X	X
Inputs	5	5	5	8	6
Status Outputs	2	2	2	6	3
LED PAR56 80W Lamp	4	4	4	4	4
Headlight DIM	X	X	X	X	X
Dedicated DIM Output	X	-	-	-	-
For lamps without embedded DC/DC Controller	-	X	-	-	-
Embedded resistor for dimming	-	-	X	-	-
Configurable	-	-	-	X	-
Length x Height Depth 17.00" X 5.45" X 5.00"	X	X	X	X	X

X = Included, O = Optional, F = Factory Selectable

APPLICATION DIAGRAM

HEADLIGHT SECTION



AUXLIGHT SECTION

