

HACB

Headlights & Auxiliary Incandescent/Halogen Lights Controller Box



HACB1 shown

The HACB is a Headlights and Auxiliary lights Control Box specifically designed for railroad applications. This highly reliable unit provides four (4) independent outputs for PAR56 incandescent lamps, two (2) headlights and two (2) auxiliary lights.

The HACB regulates the dimming of the headlights and flashing of the auxiliary lights while managing the lamps.

HIGHLIGHTS

- Controls both headlights and auxiliary lights on a cab car
- Eliminates dropping resistors used to dim headlights
- Energy savings
- Modular design allows customizing to any exterior lighting requirement
- Natural convection cooling
- Provides all the control features needed to meet the 49CFR (Part 229.125) auxiliary lights requirements

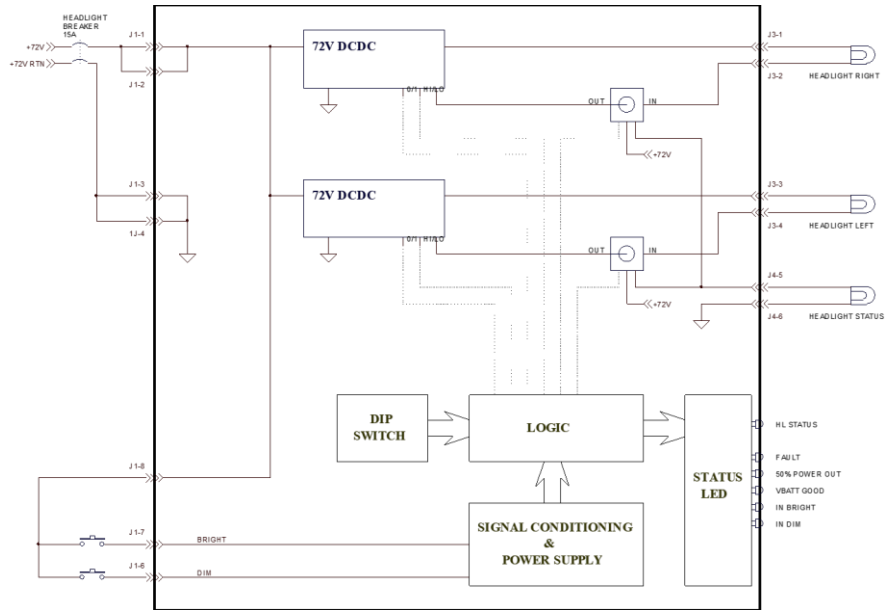
MODELS & FEATURES

Part Number Base	HACB1	HACB2	HACB4	HACB6	HACB7	HACB8
Operating Voltage - Headlights	72V _{DC}	72V _{DC}	72V _{DC}	72V _{DC}	72V _{DC}	37.5V _{DC}
Operating Voltage - Aux. Lights	72V _{DC}	72V _{DC}	72V _{DC}	72V _{DC}	72V _{DC}	72V _{DC}
Number of Inputs	6	5	6	6	6	5
Number of Status Outputs	1	4	4	2	4	2
Lamp PAR56 30V 200W	2	2	2	2	-	2
Lamp PAR56 75V 350W	2	2	2	2	4	2
Length X Height X Depth 17.00" X 5.45" X 5.00"	X	X	X	X	X	X

X = Included, O = Optional, F = Factory selectable

APPLICATION DIAGRAM

HEADLIGHT SECTION



AUXLIGHT SECTION

